

**Robotic Tire Spray Advantages**

**COST**

- Material savings
- Only paint letters area
- System reacts to each specific tire
- Modular pre-engineered skid design
- Simple with minimal maintenance
- Increased production
- Eliminate ergonomics handling tire
- Utilize standard in/exit conveyors

**QUALITY**

- Precision spray improves quality
- Minimized overspray
- Uniform spray coverage
- Spray gun positions relative to image
- Adjustable fluid, fan, atomizing air
- Fanuc iRVision for finding letters
- Paint entire 360 degree white wall
- Tire height sensing included

**SERVICE**

- More uptime with robotics
- Ease of installation
- Authorized FANUC Integrator
- FANUC Strategic Market Specialist
- Global support/service/training/spares



Ideal for White wall or tire coolant spray



Fanuc LRMate for gun positioning



Integrated vision for tire find



Servo controlled fluid delivery system

US Patent No's 8,646,404 and 9,192,953

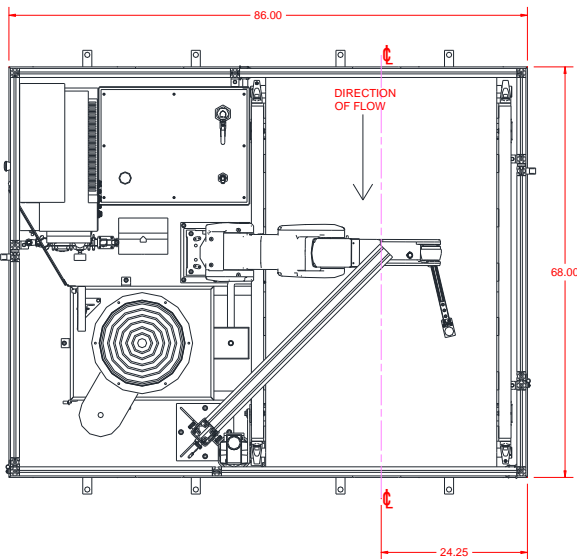


## Model: WWS

### Robotic Tire Spraying

Pioneer's WWS White Wall Spray is ideal for Passenger and Light Truck. Our precision spray system provides the quality you need while saving you material and maintenance cost.

Call today for quotation...419-737-9506



Model "WWS" Specifications		
Bead Diameter	10" - 26"	250- 650mm
Max Tire Width	16"	610mm
Max Tire OD Diameter	36"	920mm
Max Tire Weight	125lbs	57kg
Tire Spray	360 degrees or Incremental	
Outside Tire Spray	White letter protectant or coolant	
Cycle Time (tph)	240 tph single	360 tph dual
Cycle Time (tpd)	5,670	8,640
Robot	Fanuc LRMate	
Robot Controller	Fanuc R30iB	
Tire Measurement	Fanuc IrVision	
Bar Code Reader	Optional	
Fluid Holding Tank	15gal Hi/Lo Level Ind.	
Spray Gun	Quick change manifold	
Spray Gun Pattern	Variable fan control	
Fluid Delivery	Precision servo metering pump	
Atomizing Air	Variable	
Tire protectant	Water based system	
Automatic Purge	Water flush prog. # cycles	
Infeed conveyor	Intralox mesh belting	
Electrical Service Req'd	480v/3ph/30amp or 380V	
Air Service Req'd	80psi @ 3/4" inlet	
Water Service Req'd	20psi @ 3/8" inlet	
Machine footprint	7'-6" x 5'-6"	
Overall Height	8'-0"	
Exhaust Fan	1-1/2hp 18" Diameter	
Dual Filters	(2) 24"x24"x2" Pleated Filter	
Downdraft booth	Stainless Steel water tight	



**Single Conveyor**  
WWS-1000o  
240 \*tire per hour  
with Fanuc  
LrMate Robot



**Dual Conveyor**  
WWS2-1000o  
360 \*tire per hour  
with Fanuc  
LrMate Robot

\* dependent on letter patterns



**HIGH POINT**  
Option available

Standalone HP or  
with White Wall  
Painter