

**Vertical Tire Spray  
 Advantages**

**COST**

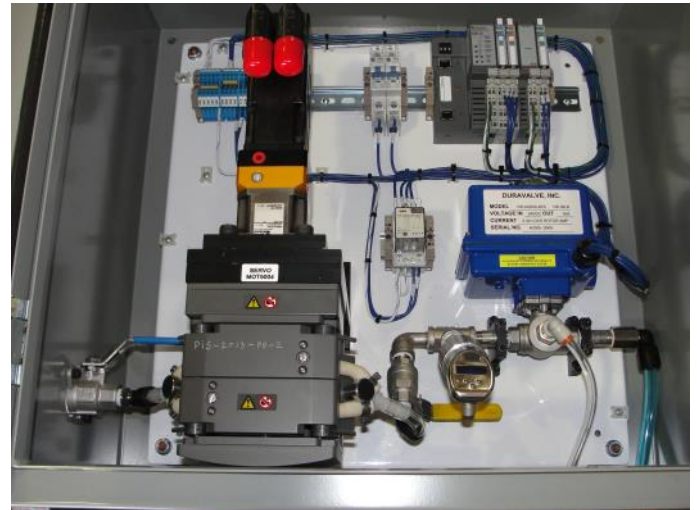
- Material savings
- System reacts to each specific tire
- Modular pre-engineered skid design
- Simple with minimal maintenance
- Low cost manual load/unload

**QUALITY**

- Precision spray improves quality
- Minimized overspray
- Uniform spray coverage
- Spray gun positions based on tire measurement (recipe option)
- Adjustable fluid, fan, atomizing air
- Paint entire 360 degree inside
- Outside paint optional

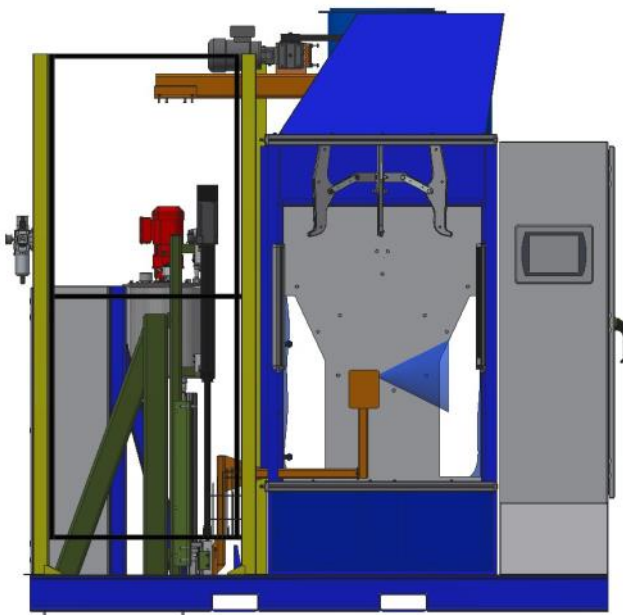
**SERVICE**

- Easy access maintenance
- Replaceable filters
- Quick change spray gun
- Ease of installation



**Precision fluid delivery system  
 holding tank with agitator**

US Patent No's 8,646,404 and 9,192,953



**RADIAL TIRE UNIT**

- Quick Change Spray Guns
- Inside spray gun on linear actuator
- Optional outside gun
- Chuck to hang and rotate radial tires with foot pedal actuator



**REFERERNC E BIAS TIRE UNIT**

- Quick Change Spray Guns
- Outside spray gun on linear actuators for XY
- 360 degree inside gun for smaller tires
- Turntable to sit bias tires on, cycle start pushbutton

## Model: VTS1000iR

### Vertical Tire Spraying

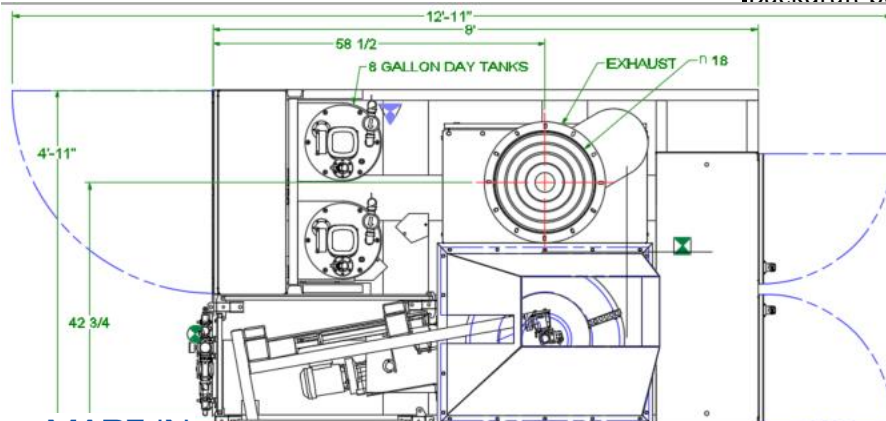
Pioneer's VTS Green Tire Sprayer is ideal for Radial Passenger, Light Truck, Utility, and AG Tires. Our precision spray system provides the quality you need while saving you material and maintenance cost.

Call today for quotation...419-737-9506



Modular Design with Integrated Filter Box and Exhaust

Model "VTS1000iR" Specifications		
Bead Diameter	10" - 24"	250- 610mm
Tire Width (bead-bead)	10" - 24"	250- 610mm
Tire OD Diameter	12" - 36"	305- 915mm
Max Tire Weight	120lbs	55kg
Inside Tire Spray	360 degrees	
Outside Tire Spray	optional	
Cycle Time (tph)	180	
Cycle Time (tpd)	4,320	
Robot	N/A	
Robot Controller	N/A	
Tire Measurement	Light Arrays (optional recipe based)	
Bar Code Reader	Optional	
Fluid Holding Tank	10gal Hi/Lo Level Ind.	
Spray Gun	Quick change manifold	
Spray Gun Pattern	Variable fan control	
Fluid Delivery	Precision servo metering pump	
Atomizing Air	Variable	
Tire lube	Water based system	
Automatic Purge	Water flush prog. # cycles	
Infeed conveyor	N/A—Manual load/unload	
Electrical Service Req'd	480v/3ph/30amp or 380V	
Air Service Req'd	80psi @ 3/4" inlet	
Water Service Req'd	20psi @ 3/8" inlet	
Machine footprint	12'-11" x 4'-11"	
Overall Height	10'-4"	
Exhaust Fan	5hp 18" Diameter	7000 cfm
Dual Filters	(2) 16"x20"x2" Pleated Filter Merv7	
Backdraft booth	Powder Coated Steel	



Allen Bradley Controller and HMI touchscreen



Email today for quotation: [sales@pioneerindsys.com](mailto:sales@pioneerindsys.com)

[www.pioneerindsys.com](http://www.pioneerindsys.com)

