

Robotic Tire Handling and Spray Advantages

COST

- **Material savings**
- **System reacts to each specific tire**
- **Modular pre-engineered skid design**
- **Simple with minimal maintenance**
- **Increased production**
- **Eliminate racking ergonomics**
- **Utilize standard in/exist conveyors**
- **Able to place on rack or AGV**
- **Expandable increase tire capacity**

QUALITY

- **Precision spray improves quality**
- **Minimized overspray**
- **Uniform coverage**
- **Adjustable fluid, fan, atomizing air**
- **Spray gun position relative to tire**
- **Optional bar code reading/masking**
- **Optional outside spray available**

SERVICE

- **More uptime with robotics**
- **Easy installation**
- **Authorized FANUC Integrator**
- **FANUC Strategic Market Specialist**
- **Global support/service/training**

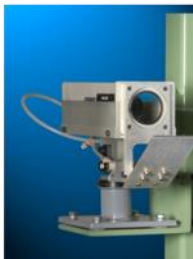


US Patent No's 8,646,404 and 9,192,953



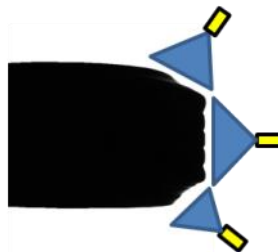
TIRE MEASUREMENT

- iRvision for tire profile
- Light arrays
- Bar codes (recipe)



SPRAY PARAMETERS

- Gun Positions
- Fan Width
- Atomizing Air
- Fluid Dispensed



RESULTS

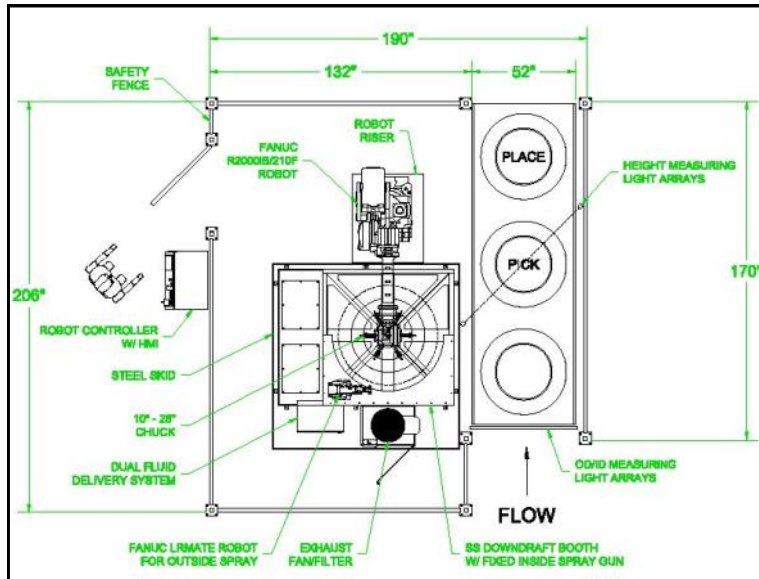
- Uniform coverage
- Minimal overspray
- Spray off bead



Model: **RTS2000i** Robotic Tire Spraying

Pioneer's RTS2000i is ideal for Medium Radial Truck, AG, Aero, Utility, Radial or Bias Ply Green Tires. Our precision spray system provides the quality you need while saving you material and maintenance cost.

Call today for quotation.....419-737-9506



Model "RTS2000i" Specifications		
Bead Diameter	12" - 28"	305 - 710mm
Max Bead to Bead	45"	1150mm
Max Tire OD Diameter	50"	1270mm
Max Tire Weight	340lbs	155kg
Inside Tire Spray	360 degrees or programmable	
Outside Tire Spray	optional	
Cycle Time (tph)	240	
Cycle Time (tpd)	5,760	
Robot	Fanuc R2000iB/210F	
Robot Controller	Fanuc R30iB	
Tire Measurement	Light arrays (IrVision optional)	
Bar Code Reader	Optional	
Fluid Holding Tank	15gal Hi/Lo Level Ind.	
Spray Gun	Quick change manifold	
Spray Gun Pattern	Variable fan control	
Fluid Delivery	Precision servo metering pump	
Atomizing Air	Variable	
Tire lube	Water based system	
Automatic Purge	Water flush prog. # cycles	
Chuck Cleaning	Fixed brush prog. # cycles	
Electrical Service Req'd	480v/3ph/30amp or 380V	
Air Service Req'd	80psi @ 3/4" inlet	
Water Service Req'd	20psi @ 3/8" inlet	
Machine footprint	18' x 16'	
Overall Height	12'	
Exhaust Fan	2hp 18" Dia	
Dual Filters	(2) 24"x24"x2" Pleated Filter	
Downdraft booth	Stainless Steel	

MADE IN

U. S. A.

NEW



PIONEER ROBOTIC MODEL RTS1000i

DEMO UNIT AVAILABLE for in plant testing, demonstration, production runs, maintenance fill, fluid testing, training, spray coverage testing, etc.

This efficient unit combines all of the advantages and features offered by our Robotic Systems and packs them into a convenient demo skid that is available for in-plant demonstrations, sale, or lease!

Call to schedule your FREE ONE WEEK in plant trial.