

Robotic Tire Handling and Spray Advantages

COST

- Material savings
- System reacts to each specific tire
- Modular pre-engineered skid design
- Simple with minimal maintenance
- Increased production
- Eliminate racking ergonomics
- Utilize standard in/exit conveyors
- Place on conveyor, rack, or AGV
- Expandable increase tire capacity

QUALITY

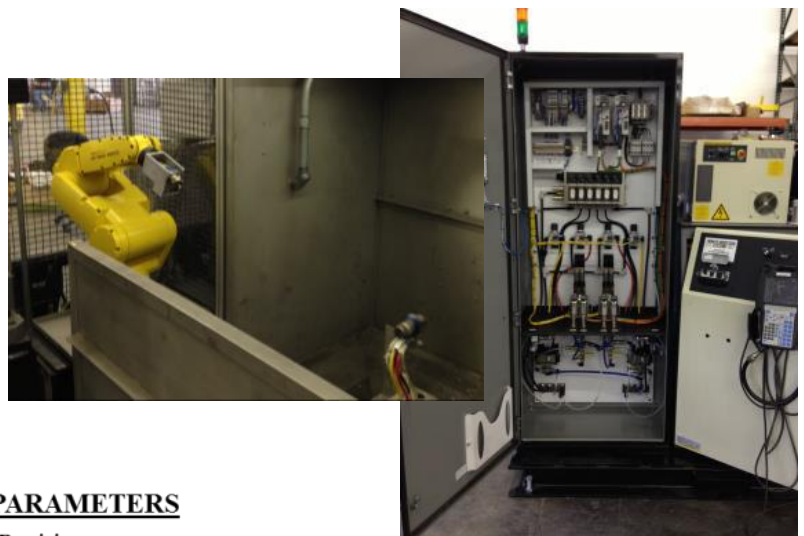
- Precision spray improves quality
- Minimized overspray
- Uniform coverage
- Adjustable fluid, fan, atomizing air
- Spray gun position relative to tire
- Optional bar code reading/masking
- Outside spray gun robot for accuracy

SERVICE

- More uptime with robotics
- Easy installation
- Authorized FANUC Integrator
- FANUC Strategic Market Specialist
- Global support/service/training

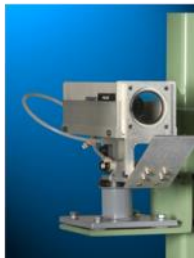


US Patent No's 8,646,404 and 9,192,953



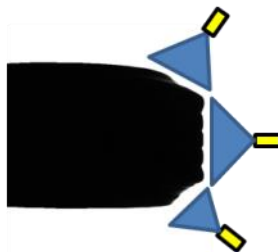
TIRE MEASUREMENT

- iRvision for tire profile
- Light arrays
- Bar codes (recipe)



SPRAY PARAMETERS

- Gun Positions
- Fan Width
- Atomizing Air
- Fluid Dispensed



RESULTS

- Uniform coverage
- Minimal overspray
- Spray off bead

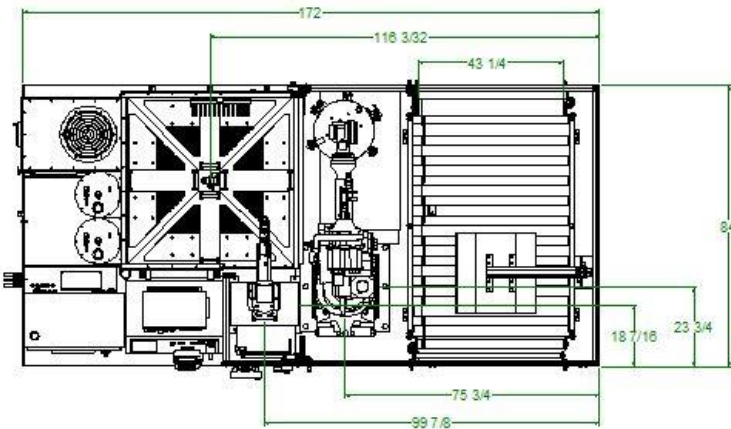




Model: RTS1000i
Robotic Tire Spraying

Pioneer's RTS1000i is ideal for Passenger and Light Truck, Utility, Radial or Bias Ply Green Tires. Our precision spray system provides the quality you need while saving you material and maintenance cost.

Call today for quotation...419-737-9506



| Model "RTS1000io" Specifications | | |
|----------------------------------|----------------------------------|-------------------------|
| Bead Diameter | 10" - 26" | 250- 650mm |
| Max Bead to Bead Width | 24" | 610mm |
| Max Tire OD Diameter | 36" | 920mm |
| Max Tire Weight | 125lbs | 57kg |
| Inside Tire Spray | 360 degrees or programmable | |
| Outside Tire Spray | Fanuc LRMate Gun Position | |
| Cycle Time (tph) | 360 (inside) | 200 (inside & outside) |
| Cycle Time (tpd) | 8,640 (inside) | 4800 (inside & outside) |
| Handling Robot | Fanuc R1000iB/100F | |
| Robot Controller | Fanuc R30iB | |
| Tire Measurement | Light arrays (IrVision optional) | |
| Bar Code Reader | Optional | |
| Fluid Holding Tank | 15gal Hi/Lo Level Ind. | |
| Spray Gun | Quick change manifold | |
| Spray Gun Pattern | Variable fan control | |
| Fluid Delivery | Precision servo metering pump | |
| Atomizing Air | Variable | |
| Tire lube | Water based system | |
| Automatic Purge | Water flush prog. # cycles | |
| Chuck Cleaning | Fixed brush prog. # cycles | |
| Electrical Service Req'd | 480v/3ph/30amp or 380V | |
| Air Service Req'd | 80psi @ 3/4" inlet | |
| Water Service Req'd | 20psi @ 3/8" inlet | |
| Machine footprint | 14'-6" x 7'-0" | |
| Overall Height | 8'-0" | |
| Exhaust Fan | 5hp 24" Diameter | |
| Dual Filters | (2) 24"x24"x2" Pleated Filter | |
| Downdraft booth | Stainless Steel | |

PIONEER ROBOTIC MODEL RTS1000i

DEMO UNIT AVAILABLE for in plant testing, demonstration, production runs, maintenance fill, fluid testing, training, spray coverage testing, etc.

This efficient unit combines all of the advantages and features offered by our Robotic Systems and packs them into a convenient demo skid that is available for in-plant demonstrations, sale, or lease!

Call to schedule your in plant trial.