

Model: HTS1000i
Horiz. Tire Spraying

Horizontal Tire Spray Advantages

COST

- Minimal set-up
- Low cost manual load/unload

QUALITY

- PFDS with servo controlled metering pump & automatic purge
- Automatic spray gun adjustment based on recipe
- Paint entire 360 degree inside
- Spray gun mounted on a actuator for accurate automatic positioning

SERVICE

- Easy access for maintenance
- Replaceable filters
- Quick change spray guns



Servo Controlled Precision Fluid Delivery Panel
 US PATENT 9,192,953



Quick change spray gun attached to linear actuator.
 Knurled rollers to provide grip to rotate the tire.



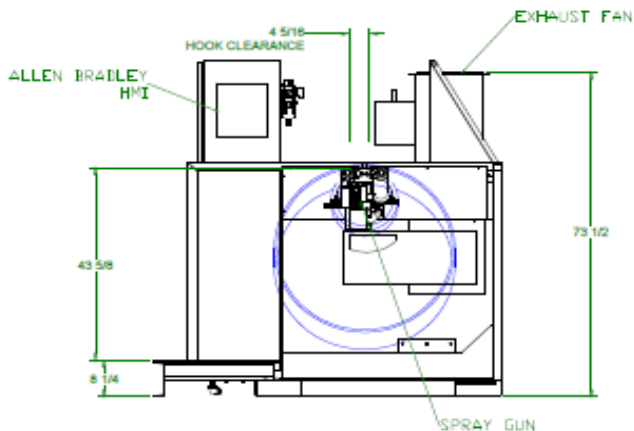
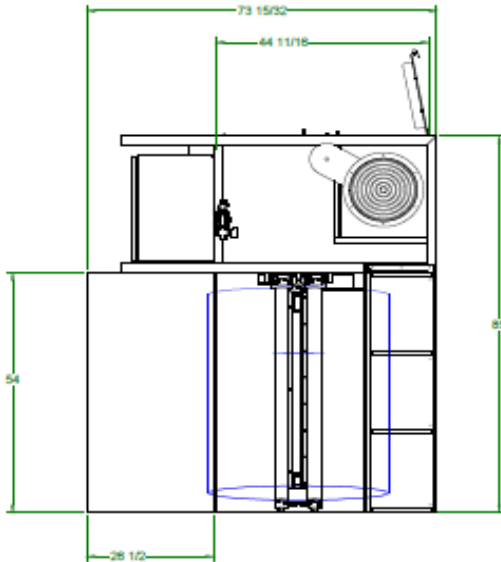
6" HMI, E-stop button, cycle start, & cycle stop buttons

Model: HTS1000i

Horiz. Tire Spraying

Pioneer's HTS Green Tire Sprayer is ideal for Radial or Bias-Ply Passenger, Utility, Trailer, and AG Tires. Our Precision Fluid Delivery System provides a high quality solution you need for spraying green tires.

Call today for quotation...419-737-9506



Model "HTS1000i" Specifications		
Bead Diameter	12" - 36"	305- 915mm
Tire Width (bead-bead)	6" - 45"	152- 1140mm
Tire OD Diameter	14" - 38"	356- 965mm
Max Tire Weight	125lbs	57kg
Inside Tire Spray	360 degrees	
Cycle Time (tph)	Approximately 150	
Cycle Time (tpd)	Approximately 3,600	
Tire Measurement	N/A - recipe based system	
HMI	Allen Bradley Panelview 600	
Bar Code Reader	Optional	
Spray Gun	Quick change manifold	
Spray Gun Pattern	Variable fan	
Fluid Delivery	Precision Fluid Delivery System	
Atomizing Air	Variable	
Tire lube	Water based system	
Water Purge	Automatic	
Infeed conveyor	N/A—Manual load/unload	
Electrical Service Req'd	480v/3ph/30amp or 380V	
Air Service Req'd	80psi @ 3/4" inlet	
Water Service Req'd	20psi max @ 3/8" inlet	
Machine footprint	11' x 8'	
Overall Height	6'-4"	
Exhaust Fan	2 hp 14" diameter	700 cfm
Dual Filters	Fiberglass pleated panel filters	
Backdraft booth	Powder Coated Steel	



Modular Design with Integrated Exhaust